



Custom Electronic Components

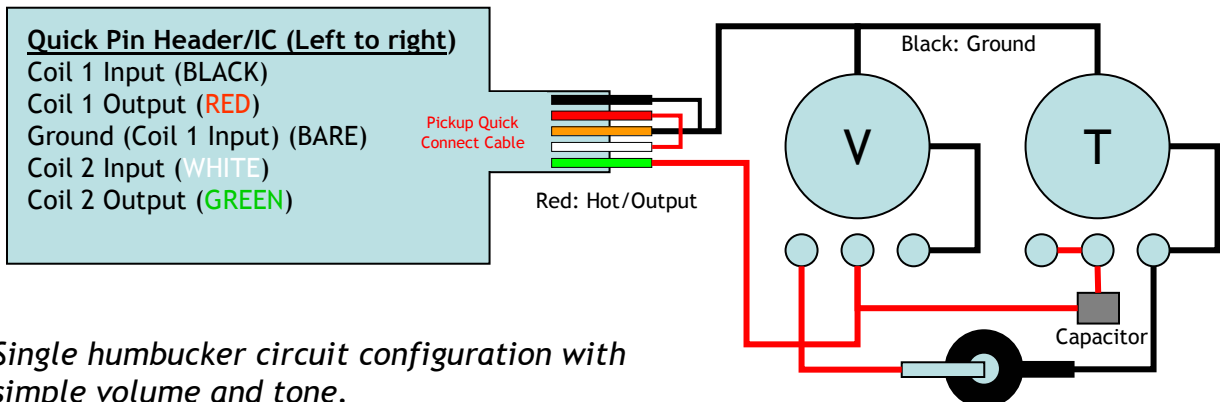
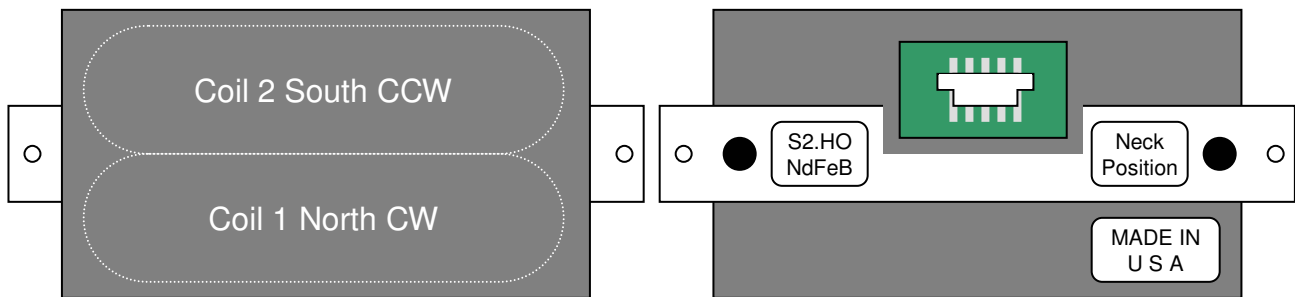
Series 2 (S.2) Pickup Information

Visit us on the web: WWW.BALLURIO.COM

Ballurio Guitars' S2 humbucking pickups can be configured for either standard humbucking operation or single-coil/coil-isolation output. Internal pickup wiring and coil polarities are found below.

The Series 2 pickup line consists of a parallel-coil architecture with a variety of magnet and winding options. Each of the available options is designed to ensure no volume attenuation during the most demanding playing (string bending and tremolo use). The coils are fully saturated and encased in a rock-solid epoxy cover to provide low-noise and virtually microphonic-free performance. These pickups are designed to fit a standard humbucker cavity. Additionally, the Series 2 pickups have autonomous coils, such that each of the two coils contained in the pickup do not share connectivity without the use of switching. This architecture provides the greatest control over the pickup's coils in various configurations.

To wire the pickups in a standard humbucker configuration, the red wire (hot for coil 1) and the white wire (input for coil 2) are connected. This connection should then be taped off to ensure that it does not come into contact with other wires or components.



Single humbucker circuit configuration with simple volume and tone.